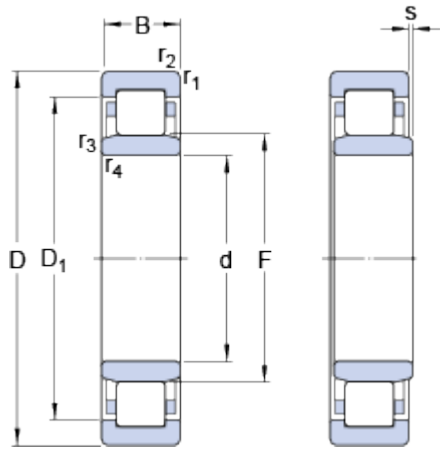


# NU 244 ECML

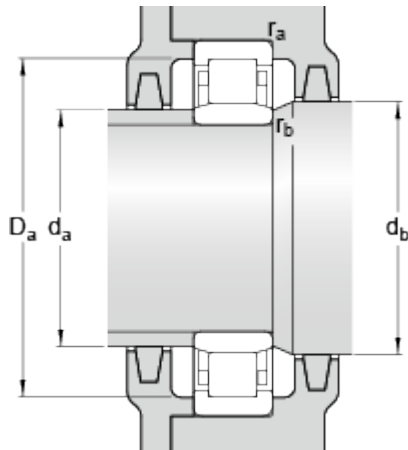
SKF Explorer

## Dimensions



d		220	mm
D		400	mm
B		65	mm
D <sub>1</sub>	≈	343.7	mm
F		268	mm
r <sub>1,2</sub>	min.	4	mm
r <sub>3,4</sub>	min.	4	mm
s		2.3	mm

## Abutment dimensions



d <sub>a</sub>	min.	238	mm
d <sub>a</sub>	max.	263	mm
d <sub>b</sub>	min.	272	mm
D <sub>a</sub>	max.	383	mm
r <sub>a</sub>	max.	3	mm
r <sub>b</sub>	max.	3	mm

## Calculation data

Basic dynamic load rating	C	1060	kN
Basic static load rating	C <sub>0</sub>	1290	kN
Fatigue load limit	P <sub>u</sub>	125	kN
Reference speed		1700	r/min
Limiting speed		3000	r/min
Calculation factor	k <sub>r</sub>	0.23	

## Mass

Mass bearing		36.75	kg
--------------	--	-------	----

## Appropriate products

Angle ring		HJ 244 EC	
------------	--	-----------	--

